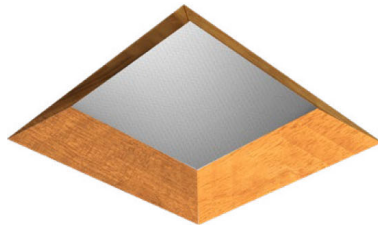
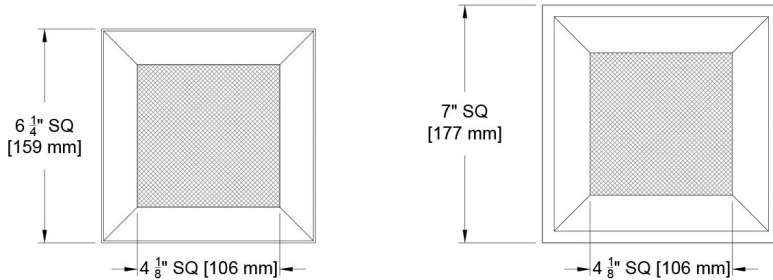
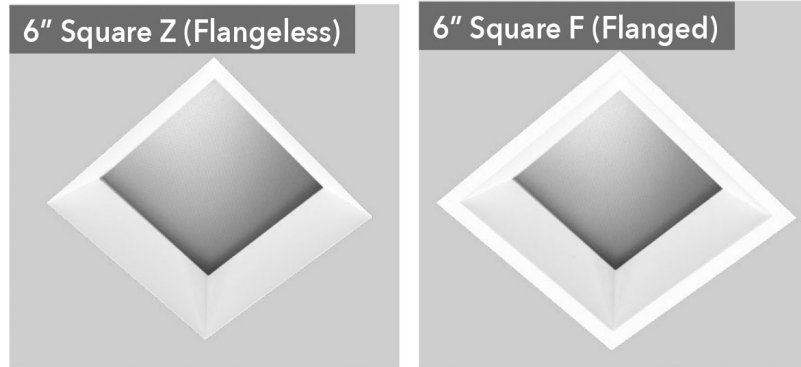


# Core 6" Square Fixed Downlight (152mm)

Formerly known as 4029  
Fixed Recessed Downlight

## The Core Family

Welcome to the Core 6" square fixed downlight where up to 3500 lumens are packaged in Specialty Lighting elegance. You will find a rich diversity of technical and aesthetic options with over 14 finishes including custom wood trims, flux and source selections featuring 90+ CRI fixed white and our world class Ambient Dim (Warm Dim), multiple beam spreads and a plethora of driver and control choices. The Core downlight is created on a platform allowing a high degree of modification, so if you don't see what you are looking for, just ask. We are here to make your project right.



Wood Trim Available

SQUARE Beamspreads	Open Regress				
	Citizen				Ambient Dim
Source	C11	C16	C23	C34	A34
Delivered Lumens	1428	2033	2791	3586	2494
System Watts	13	19	27	38	38
Fixture Efficacy (LPW)	108	107	102	95	67

Data based on 20° beam at 3000k. For other beams see full photometric table

PROJECT:

TYPE:

SPECIFIER:

DATE:

### Key Points (CR6D-SF)

#### Trim

- Flanged or Flangeless
- Flangeless includes plaster flange with lip
- 14 color options + custom RAL or wood available
- One-piece die cast aluminum or machined wood trim

#### Source / Optics

- Lifetime: L87B3>55,000 hours at 40°C Ambient
- 2700, 3000, 3500, 4000K, Ambient Dim standard. Tunable White or RGBW available upon request
- 90 CRI , 60+ R9 Standard- 95 CRI 90+R9 Optional
- <2 MacAdam Steps (<2SDCM) for fixed white
- Up to 3500 delivered lumens
- 3 beamspreads available- 20°, 38° and 65°

#### Housing

- Fixture supports CA Title 24 compliance to JA8 requirements with Airtight Housing
- Listed – Damp or wet with shower trim
- Approved for 8 (4-in / 4-out) #12 AWG conductors rated for 90°C through wiring
- IC Rated / Airtight Housing approved for use in direct contact with insulation – Chicago Plenum Available
- Heavy gauge aluminum for new construction or remodel

#### Driver

- Phase, 0-10, DALI, Ecosystem or Wireless Control
- Flicker free to IEEE 1789-2015 available
- Prewired and integral to housing
- Universal 120-277v

# Core 6" Square Fixed Downlight (152mm)

Formerly known as 4029  
Fixed Recessed Downlight



## Ordering Codes

PROJECT: \_\_\_\_\_ SPECIFIER: \_\_\_\_\_  
DATE: \_\_\_\_\_ TYPE: \_\_\_\_\_ QUANTITY: \_\_\_\_\_

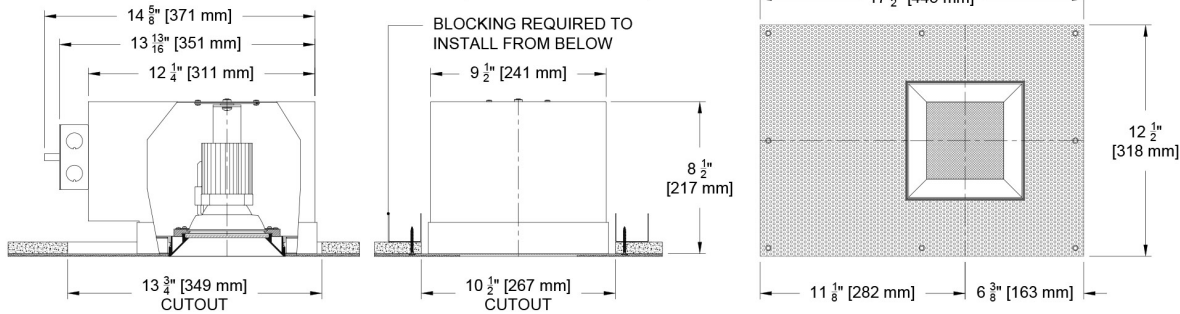
Ordering Code Example: CR6D-SF-Z-AP-C23-35-38-E2-P14-91A-CP

FIXTURE	TRIM	MOUNTING	SOURCE / WATTS	CCT	BEAM	DRIVER / CONTROL	TRIM FINISH	LENS ACCESSORIES	ACCESSORIES
CR6D-SF									
Core 6" Square Fixed Downlight	<p>F Flanged Trim</p> <p>Z Flangeless Trim</p> <p>FS Flanged Shower Trim*</p> <p>ZS Flangeless Shower Trim*</p> <p>* Aperture Lens Required</p>	<p>U Universal - Non-IC Housing</p> <p>AU ●● Universal IC/Airtight*</p> <p>P Plaster - Non-IC Housing</p> <p>AP ●● Plaster IC/Airtight*</p> <p>PM Panel Mount</p> <p>APM ●● Panel Mount Airtight/IC*</p> <p>●● Supports CA Title24 compliance</p> <p>*Cannot be used with C34 and A34 Source</p>	<p>Citizen</p> <p>C11 ●● 13W 1428Lm** 90+CRI, 60+R9</p> <p>C16 ●● 19W 2033Lm** 90+CRI, 60+R9</p> <p>C23 ●● 27W# 2791Lm** 90+CRI, 60+R9</p> <p>C34 38W*# 3586Lm** 90+CRI, 60+R9</p> <p>Ambient Dim</p> <p>A34 38W*# 2494Lm** 90+CRI, 60+R9</p> <p>TW 90+CRI, 60+R9 Tunable White^+</p> <p>RGBW 90+CRI, 60+R9 ^</p> <p>●● Supports CA Title 24 Compliance to JA8.</p> <p>* Requires Active Cooling and not compatible with IC/Airtight housing. Not compatible with L2 and LP drivers.</p> <p># Not compatible with LP Driver.</p> <p>** Based on 20° beam.</p> <p>^ Contact Factory for Photometrics</p> <p>+LTT or EldoLED driver selection required and will be supplied with 2 channel version.</p>	<p>27 2700K</p> <p>30 3000K</p> <p>35 3500K</p> <p>40 4000K</p> <p>AD 3000-1900K</p> <p>TW18 1800-4000K</p> <p>TW27 2700-6500K</p>	<p>20 Spot</p> <p>38 Flood</p> <p>65 Wide Flood</p>	<p>C1 0-10 1.0%, UNV (120-277V) linear</p> <p>C2 ELV/Triac 1.0%, (120-277V) linear</p> <p>EldoLED</p> <p>E1 0-10 0.1%, UNV (120-277V) log</p> <p>E2 DALI-2 0.1%, UNV (120-277V) log</p> <p>E3 0-10 0.1%, UNV (120-277V) linear</p> <p>Lutron</p> <p>LD Digital Ecosystem 1.0%, UNV (120-277V) ECO Hi-Lume SoftOn/Fade-to-Black LDE1</p> <p>LP Digital Ecosystem* 0.1%, UNV (120-277V) ECO Premier Hi-Lume SoftOn/Fade-to-Black, PEQ0, 20W max</p> <p>LTT Digital* 1.0%, UNV (120-277V) T Series digital 2-channel Tunable White PSQD</p> <p>* Not compatible with C23, C34 and A34</p>	<p>W White Paint</p> <p>B Black Paint</p> <p>D Wood*</p> <p>PXX Specialty Paint Color*</p> <p>P01-P15</p> <p>C Custom/RAL Color**</p> <p>* Wood "D" selection to be used with Z trim and PM mounting - Refer to Wood Trim Guide</p> <p>** Refer to Finish Guide</p>	<p>Aperture Lens</p> <p>91A Solite</p> <p>93A Frosted</p> <p>XXA Other Aperture Lens Treatments*</p> <p>1 piece of media per opening (aperture or reflector) can be selected.</p> <p>*See Lens Accessory Guide</p> <p>LENS ACCESSORY VISUAL GUIDE LINK</p>	<p>CP Chicago Plenum</p> <p>EM Emergency Pack</p> <p>EMP Emergency Pack with phase cut control system utilizing C1 driver</p> <p>Controls</p> <p>LR Lutron Wireless RF PowPak</p> <p>ATH Lutron Athena Wireless Node Must be used with E2 driver</p> <p>CA Casambi Wireless BLE to be paired with driver</p>

# Ceiling Cutouts and Dimensions

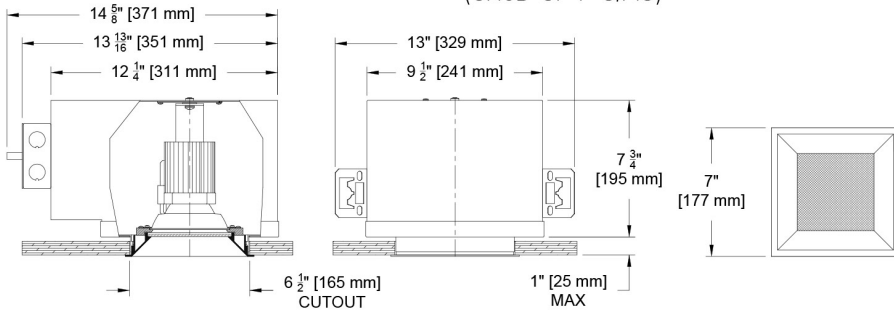
## Square Flangeless Housing Plaster Mount (P/AP)

(CR6D-SF-Z-P/AP)

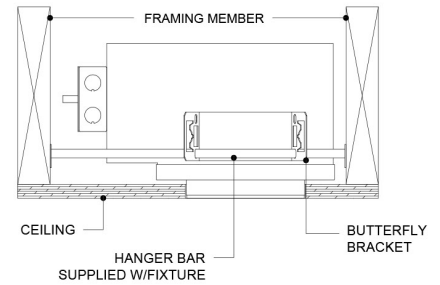


## Square Flanged Housing Flanged Mount (U/AU)

(CR6D-SF-F-U/AU)

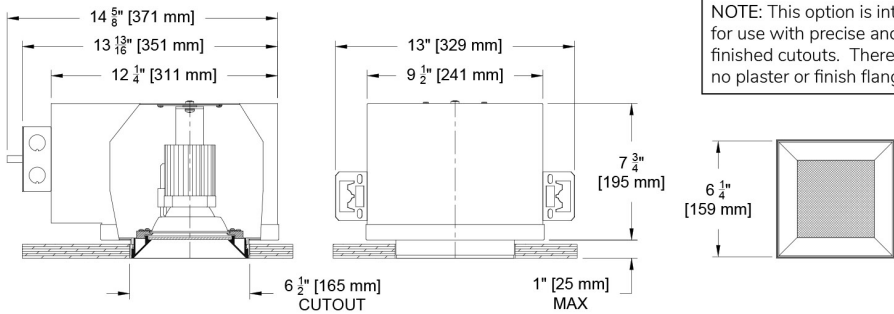


## Hanger Bar Detail

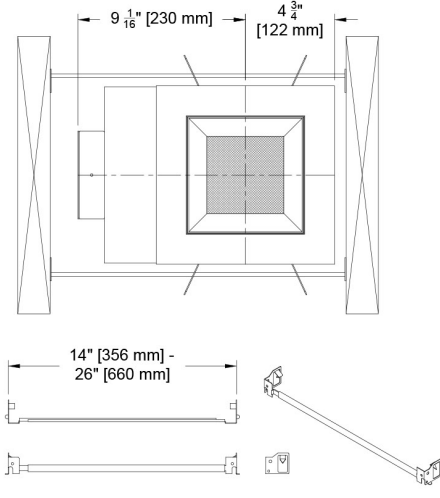


## Square Flanged Housing Flangeless Mount (U/AU)

(CR6D-SF-Z-U/AU)

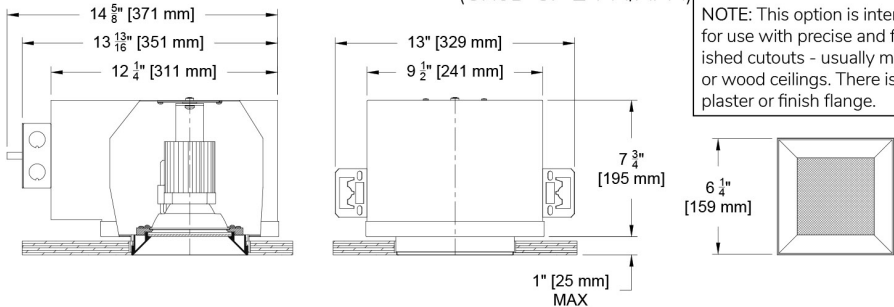


NOTE: This option is intended for use with precise and finished cutouts. There is no plaster or finish flange.



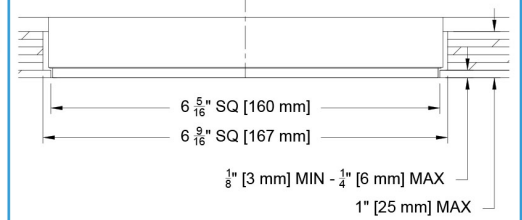
## Square Flangeless Housing Panel Mount (PM/APM)

(CR6D-SF-Z-PM/APM)



NOTE: This option is intended for use with precise and finished cutouts - usually millwork or wood ceilings. There is no plaster or finish flange.

## Panel Mount Detail

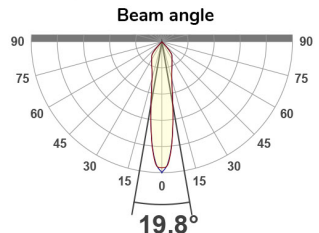
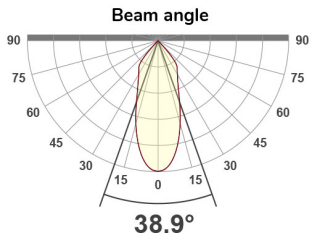
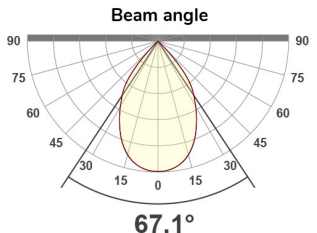


# Core 6" Square Fixed Downlight (152mm)

Formerly known as 4029  
Fixed Recessed Downlight

## Photometric Table

All data is delivered lumens based from goniometer measurements of production representative product. All lumen values can vary +/- 10% from LED manufacturer rated flux range. Measurements at 3000 CCT. Ambient Dim measured at full output

SQUARE Beamspreads		20°					38°				65°			
Source	System watts (W)	Delivered Lumens (lm)	Lumens/Watt	Peak CD	10% Field	Delivered Lumens (lm)	Lumens/Watt	Peak CD	10% Field	Del. Lumens (lm)	Lms/Watt	Peak CD	10% Field	
Open Regress	Citizen C11	13	1428	108	4060	80°	1410	107	2186	86°	1406	107	1339	90°
	Citizen C16	19	2033	107	5729	80°	2002	105	3086	86°	1998	105	1910	90°
	Citizen C23	27	2791	102	7980	80°	2776	101	4274	86°	2761	101	2634	90°
	Citizen C34*	38	3586	95	10089	80°	3544	94	5466	86°	3529	94	3374	90°
	Ambient Dim A34*	38	2494	67	6872	81°	2359	63	3530	86°	2489	66	2383	90°
CCT Multiplier														
CCT	Citizen													
2700	0.94													
3000	1.00													
3500	1.02													
4000	1.04													
All measurements based on 3000 CCT. Ambient Dim based on full output.														

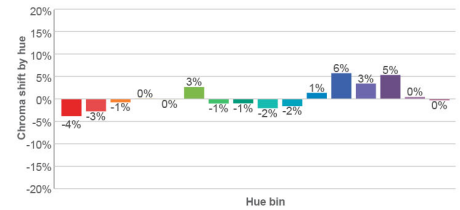
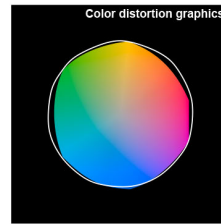
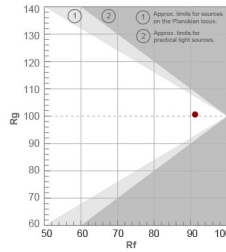
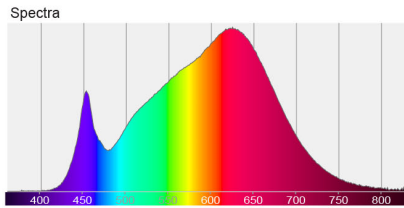
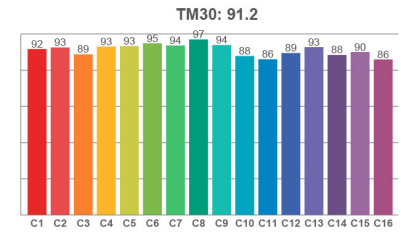
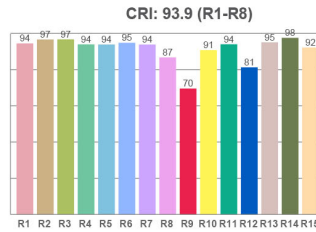
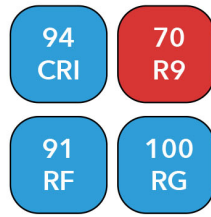
\* Requires active cooling. ISO CD plot based on C23 source

# Color Data

All data is based from goniometer measurements of production representative product. All values can vary +/- 10% from LED manufacturer rated data range. Measurements at 3000 CCT

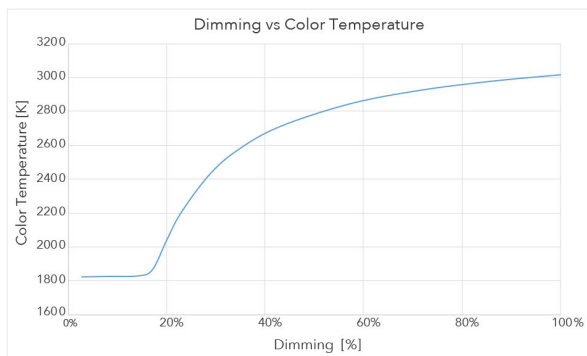
## Citizen Sources - C11, C16, C23 and C34

- <2 MacAdam Ellipse (<2 SDCM)
- 90+ CRI and RF
- 60+R9, Hue Bin 1

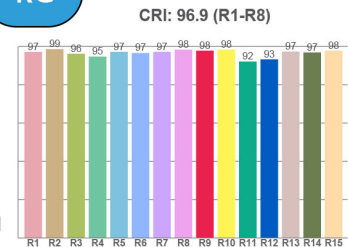
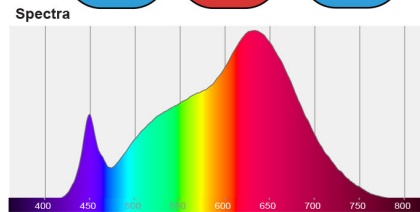


## Ambient Dim A34 - 3000k to 1900k

- <3 MacAdam Ellipse (<3 SDCM)
- 95+ CRI and RF
- 90+R9, Hue Bin 1
- Follows Black Body Locus through dimming range



### 3000 CCT Full Output



### 1850 CCT 5% Output

